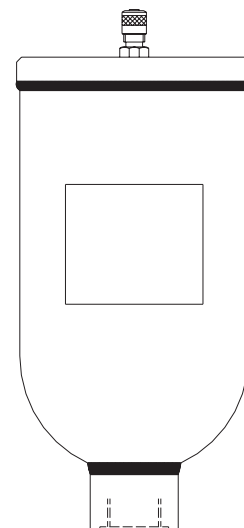


# Mobile Applications

## HYDRACUSHION

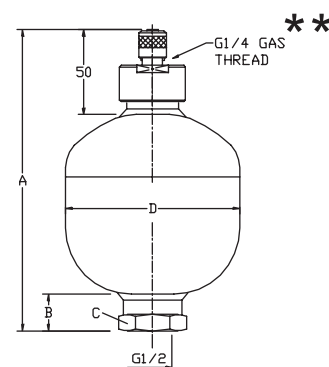
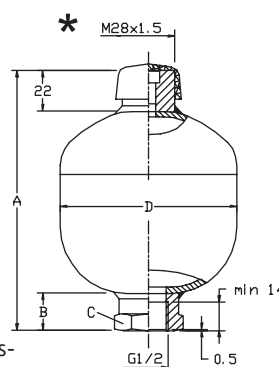
- Non repairable bladder accumulator
- Standard 3/4" BSPP fluid port connection
- High tensile steel construction for oil service for 0.5 and 1 litre models. Full stainless steel construction for 0.13 litre model
- High pressure gas valve with 1/4" BSPP charging connection (other options available upon request). 0.302" gas valve on 0.13 litre model
- Standard nitrile rubber high strength bladder
- Hi flow button style bladder/port design



part number	gas volume (litres)	pressure rating (bar)	length/diameter (mm)
HC0A-04A-02-05	0.13	50	148,Ø50
HC0E-00A-00-17	0.5	172	240,Ø94
HC01-00A-00-17	1	172	252,Ø117

## NITROBALL

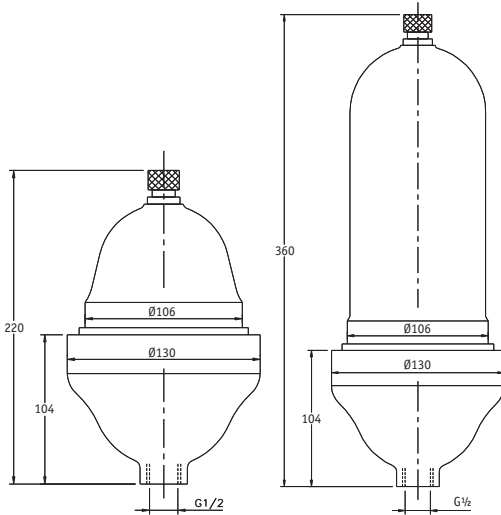
- Non-repairable diaphragm accumulator
- Compression ratio of 6:1
- Electron beam welded steel shell
- Pressure rating of 210 bar to AS2971
- Standard nitrile rubber high strength diaphragm
- \* M28 charging connection requires OLM charging head (see page 23, accumulator parts & accessories)
- \*\* New 1/4" BSP gas valve connection available to suit standard charging kit 105CK



part number	gas volume (litres)	charging connection	A	B	C	D
ELM 0.32/210	0.32	*	140	20	32	95
ELM 0.32/210 G1/4	0.32	**	168	20	32	95
ELM 0.5/210	0.5	*	152	22	41	106
ELM 0.5/210 G1/4	0.5	**	180	22	41	106
ELM 0.75/210	0.75	*	169	22	41	123
ELM 0.75/210 G1/4	0.75	**	197	22	41	123
ELM 1.0/210	1	*	180	22	41	136
ELM 1.0/210 G1/4	1	**	208	22	41	136

# Mobile Applications

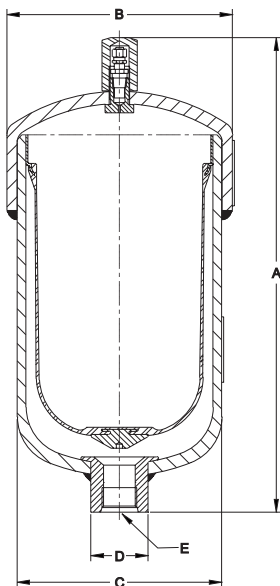
## HYPULSE



- Repairable oil service bladder accumulator
- Full AS1210 approval for maximum working pressure of 330 bar
- “Screwed halves” steel shell
- Standard nitrile rubber high strength bladder
- Optional viton and EPR bladders available upon request
- Hi flow button style bladder/port design
- 5/8” UNF charging connection (adaptor supplied in universal charging kit)
- Unit must remain vertical  $\pm 30^\circ$  during operation

part number	gas volume (litres)
OLV 0.7/330	0.7
OLV 1.5/330	1.5

## GREEROLATOR



- Non repairable oil service bladder accumulator
- 1/2” SAE female fluid port connection
- Standard nitrile rubber bladder
- Button style bladder/port design
- Special screw seal gas valve requires special charging adaptor
- Rated for a maximum working pressure of 2000 psi
- Suited to mobile agricultural applications

part number	gas volume	A	B	C	D
847110	0.5	258	79	69	27



## Distributor

### Oil Solutions



Phone 0421 336 009

Fax 03 9012 4332

International

Phone 61 421 336 009

Fax 61 3 9012 4332

[sales@oilsolutions.com.au](mailto:sales@oilsolutions.com.au)

[www.oilsolutions.com.au](http://www.oilsolutions.com.au)

PO Box 653 Castlemaine Australia 3450

